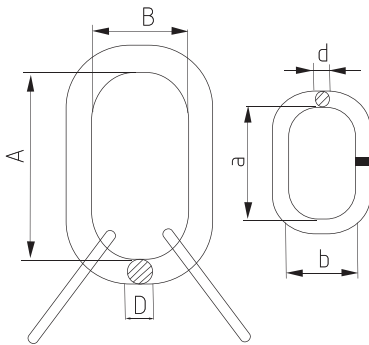


Chain Slings and Fittings

1210 - G80 Master Links Assembly with Flat (Welded)



Description:

- Designed for use with steel wire rope or grade 80 alloy steel chain
- For overhead lifting application
- Size, CE, WLL, Traceability code & GRIPTON or GPT embossed

Standard:	EN 1677
Material:	Alloy steel
Factor of safety:	4 to 1
Construction:	Quenched & tempered
Proof load:	2 times of working load limit
Finish:	Powder coated

Master Link Assembly with Flat (Welded)

Part No.	Item No.	WLL (T)	A (mm)	B (mm)	D (mm)	a (mm)	b (mm)	d (mm)	Weight (Kg)
1210.0020	Q20B	5.8	170	90	20	120	70	16	2.41
1210.0022	Q22B	7.6	170	90	22	150	80	20	3.77
1210.0025	Q25B	10	190	100	25	150	80	20	4.45
1210.0028	Q28B	12.7	210	110	28	170	90	22	6.12
1210.0032	Q32B	15.2	270	140	32	190	100	25	9.47
1210.0038	Q38B	25	270	140	38	270	140	32	17.4
1210.0045	Q45B	34	320	170	45	270	140	38	26.76
1210.0050	Q50B	40	380	200	50	270	140	38	33.2
1210.0060	Q60B	58	430	220	60	380	200	50	66
1210.0070	Q70B	84	500	250	70	430	220	60	103